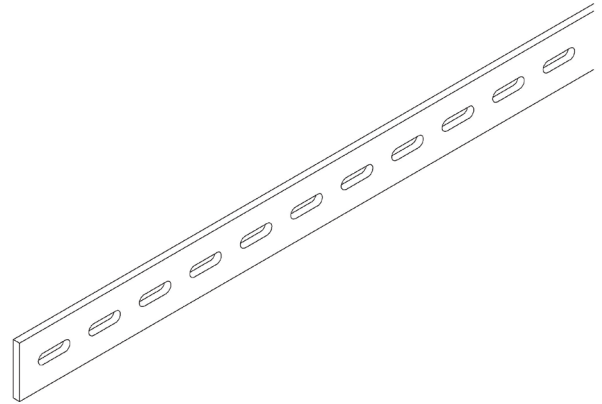


Perforated Bar

Part Nr.	Width (mm)	Thks.(mm)	Length (mm)
21H-304-P	30	4	3.000
21H-404-P	40	4	3.000

- made of hot-dip galvanized sheet steel acc. to EN ISO 1461
- other dimensions available upon request.



Flat Bar

Part Nr.	Width (mm)	Thks.(mm)	Length (mm)
21H-304-F	30	4	3.000
21H-404-F	40	4	3.000

- made of hot-dip galvanized sheet steel acc. to EN ISO 1461
- other dimensions available upon request.

